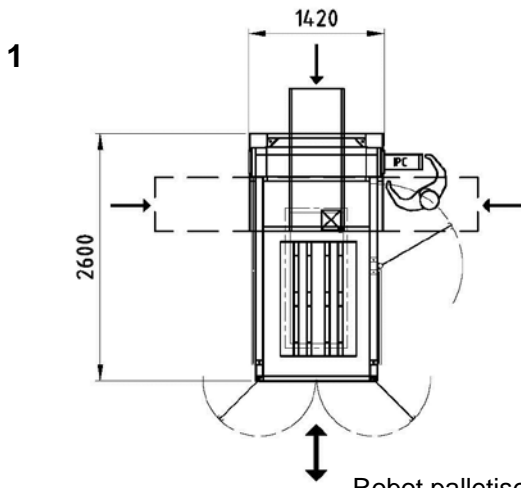
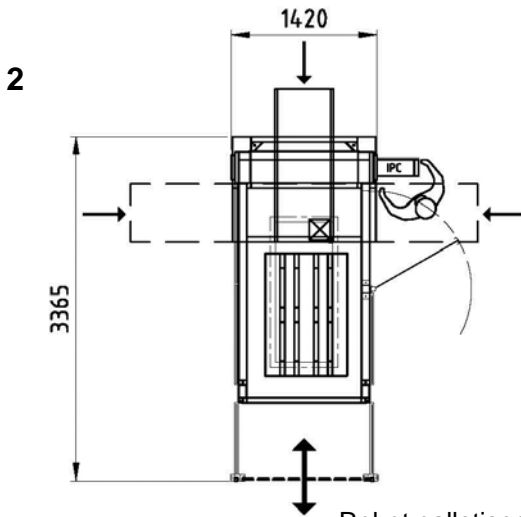


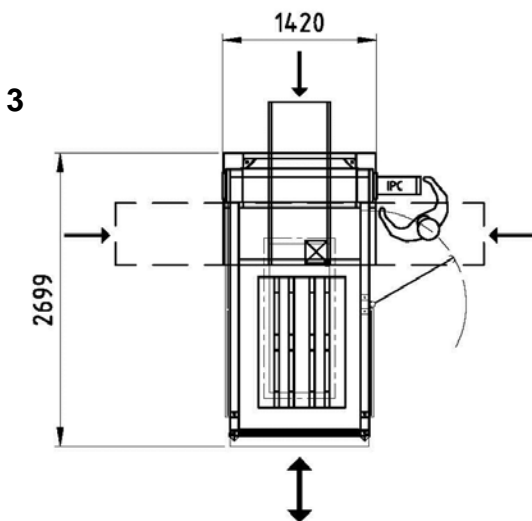
# SOCO SYSTEM palletising robot standard examples 2020



Robot palletiser, pallet on the floor, saloon doors

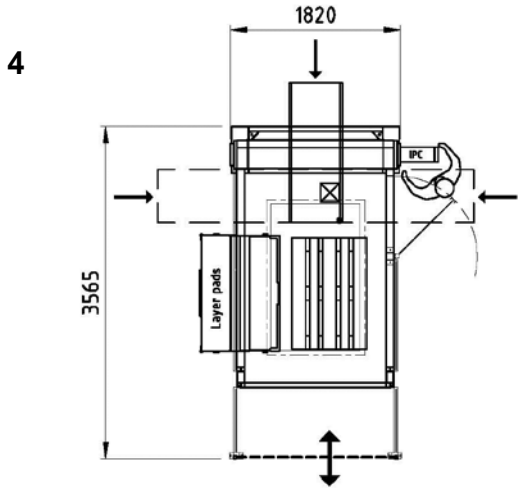


Robot palletiser, pallet on the floor, light curtain

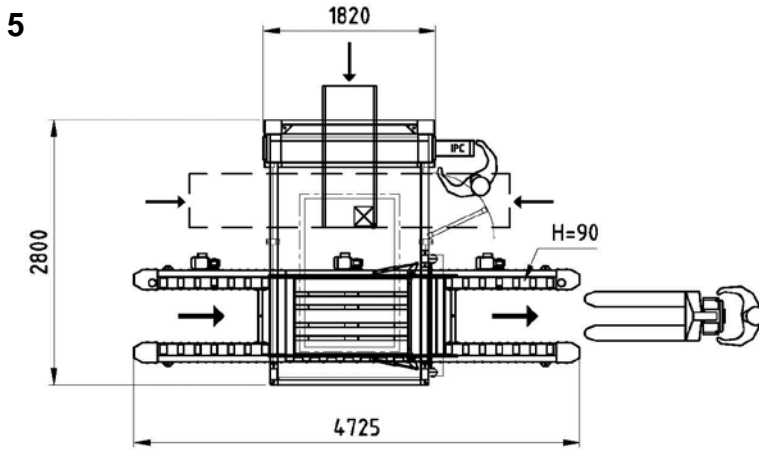


Robot palletiser, pallet on the floor, roller safety curtain

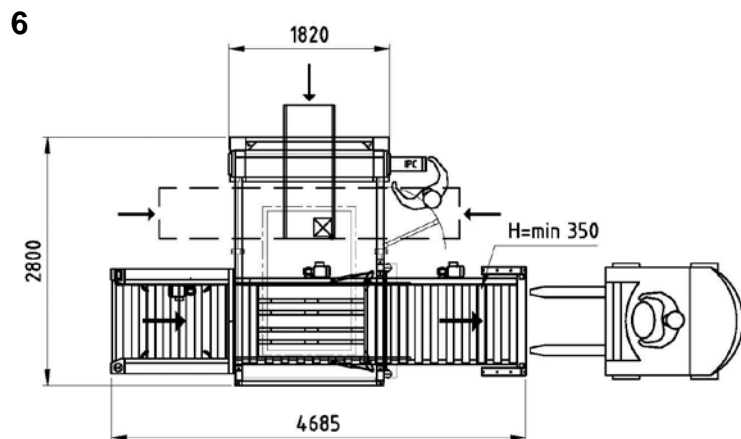
# SOCO SYSTEM palletising robot standard examples 2020



Robot palletiser, pallet on the floor, light curtain and with layer pad magazine



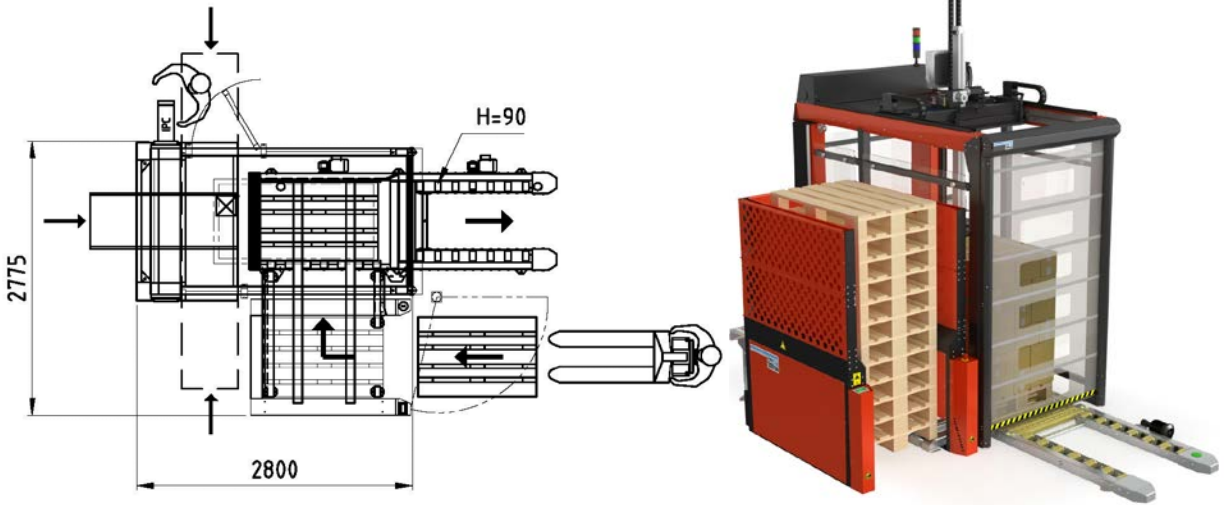
Robot palletiser with automatic pallet exchange



Robot palletiser with pallet magazine and automatic pallet exchange

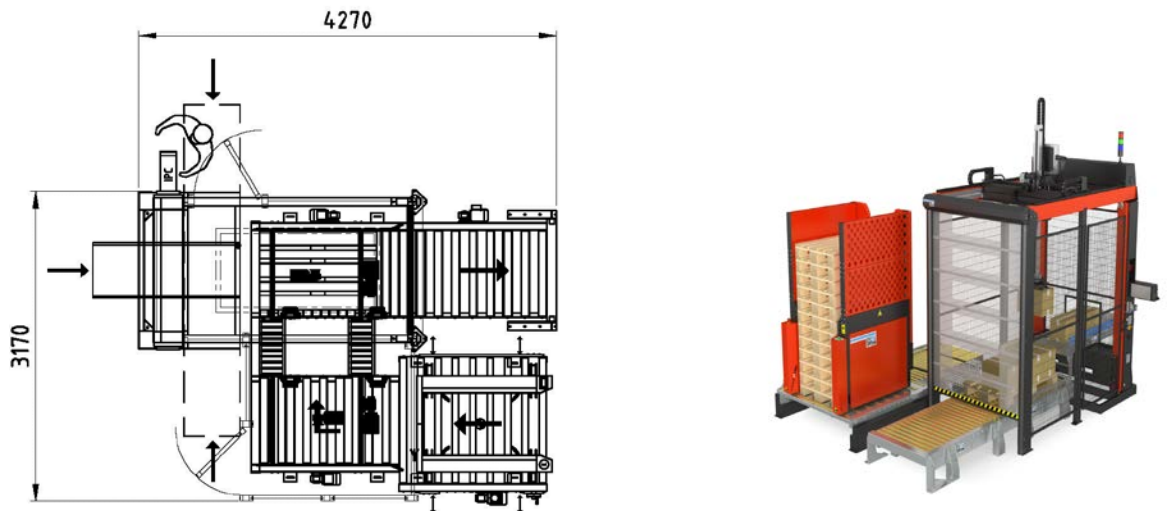
# SOCO SYSTEM palletising robot standard examples 2020

7



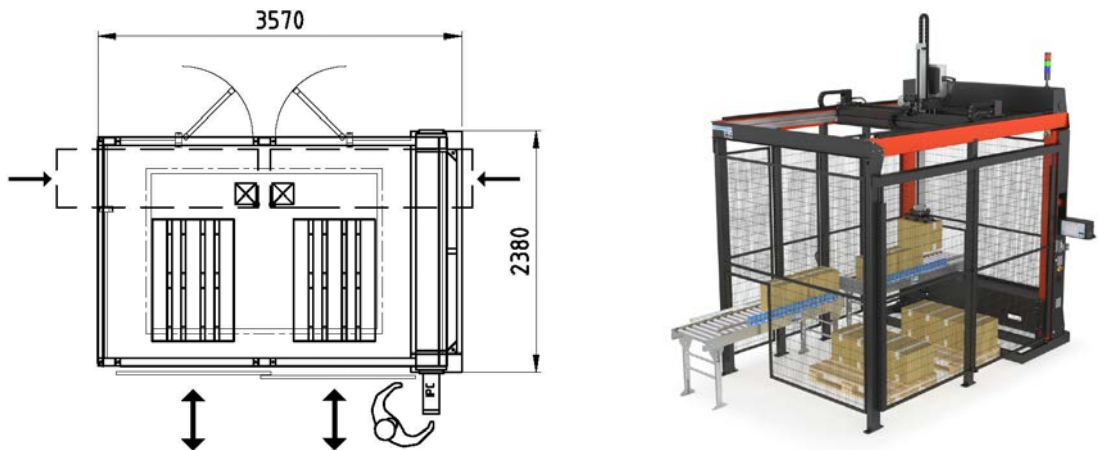
Robot palletiser with pallet magazine, front feeding, and automatic pallet exchange

8



Robot palletiser with pallet magazine adjustable for different pallet widths, front feeding of empty pallets, and automatic pallet exchange

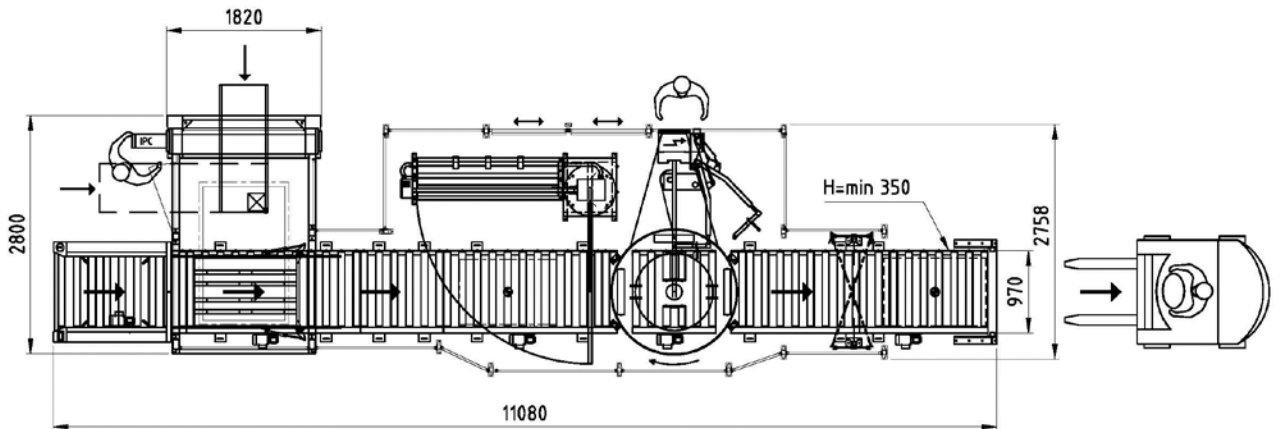
9



2-place robot palletiser with pallet on floor and sliding doors

# SOCO SYSTEM palletising robot standard examples 2020

10



Robot palletiser with pallet magazine, automatic pallet exchange, top film applicator, automatic pallet stretch wrapper